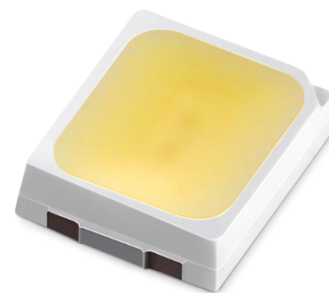


# HL-AM-2835H421W-S1-08-HR1

## Features

- PLCC -2 Package.
- Extremely wide viewing angle.
- Suitable for all SMT assembly and solder process.
- Available on tape and reel.
- Moisture sensitivity level: Level 4.
- Package:4000pcs/reel.
- RoHS compliant.



## Description

The White LED which was fabricated using a blue chip and the phosphor

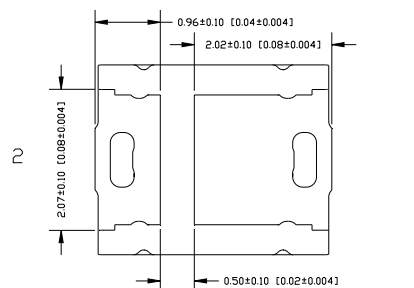
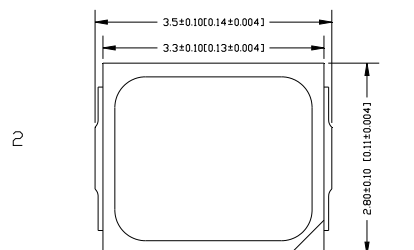


**ATTENTION**  
OBSERVE PRECAUTIONS  
FOR HANDLING  
ELECTROSTATIC  
DISCHARGE  
SENSITIVE  
DEVICES

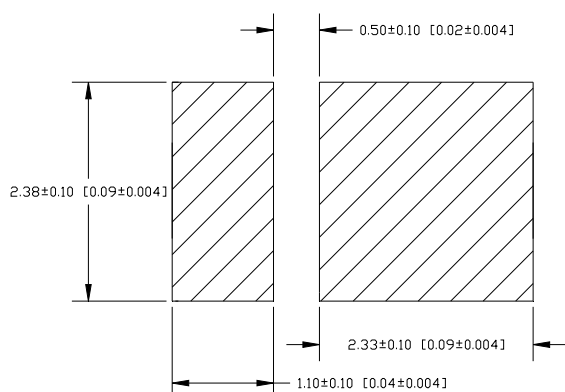
## Applications

- Optical indicator
- Indoor display
- Backlight for LCD, switch and Symbol, display
- Tubular light application
- General use

## Package Dimensions



## Recommended Soldering Pattern



### Notes:

1. All dimension units are millimeters.
2. All dimension tolerance is  $\pm 0.15\text{mm}$  unless otherwise noted.

# HL-AM-2835H421W-S1-08-HR1

## Selection Guide

Part No.	Chip Materials	Lens Type
HL-AM-2835H421W-S1-08-HR1	InGaN	Yellow Diffused

## Mass Production list

Part No.	CCT (K) Min	CCT (K) Typ	CCT (K) Max	Φ (lm) Min	Φ (lm) Typ	Test Condi- tions
HL-AM-2835H421WS1- 08-HR1	6000	6500	7000	26	28	IF=60mA
	5700	6000	6500	26	28	IF=60mA
	4750	5000	5300	26	28	IF=60mA
	3800	4000	4250	26	28	IF=60mA
	3250	3400	3650	25	27	IF=60mA
	2800	3000	3100	25	27	IF=60mA
	2600	2700	2800	23	25	IF=60mA

## Electrical / Optical Characteristics at Ta=25°C

Parameter	Symbol	Min.	Typ.	Max.	Units	Test Conditions
Forward Voltage	VF	2.8	--	3.4	V	IF=60mA
Viewing Angle	2θ1/2	--	120	--	deg	IF=60mA
Color Rendering Index	Ra	70	--	--		IF=60mA
Reverse Current	IR	--	--	10	μA	VR = 5V

Note:

2θ1/2 is the angle from optical centerline where the luminous intensity is 1/2 the optical centerline value.

- The above luminous flux measurement allowance tolerance is ±10%.
- The above Color Rendering Index measurement allowance tolerance is ±2
- The above forward voltage measurement allowance tolerance is ±0.1V.
- The above color coordinates measurement allowance tolerance is ±0.003.

# HL-AM-2835H421W-S1-08-HR1

## Absolute Maximum Ratings at Ta=25°C

Parameter	Symbol	Rating	Units
Power Dissipation	Pd	306	mW
Forward Current	IF	90	mA
Peak Forward Current [1]	IFP	150	mA
Reverse Voltage	VR	5	V
Electrostatic Discharge (HBM)	ESD	1000	V
Operating Temperature	Topr	-40 ~ +85	°C
Storage Temperature	Tstg	-40 ~ +100	°C
Junction Temperature	Tj	115	°C

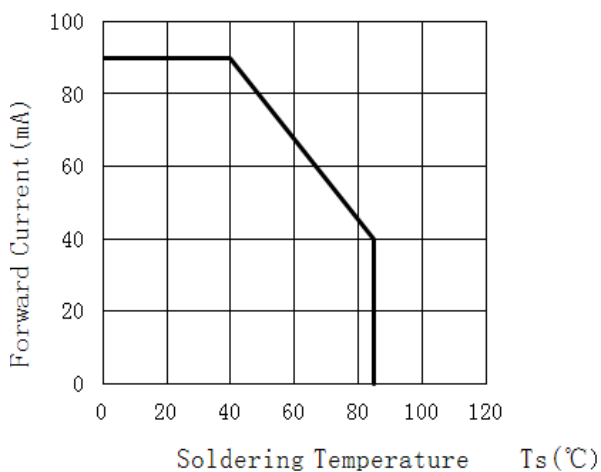
Note:

1. 1/10 Duty cycle, 0.1ms pulse width.

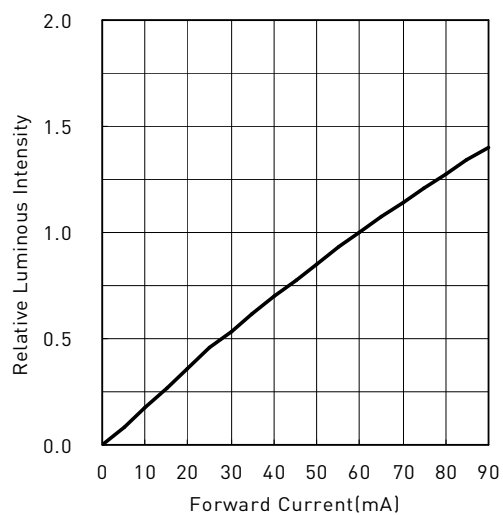
# HL-AM-2835H421W-S1-08-HR1

## Typical optical characteristics curves

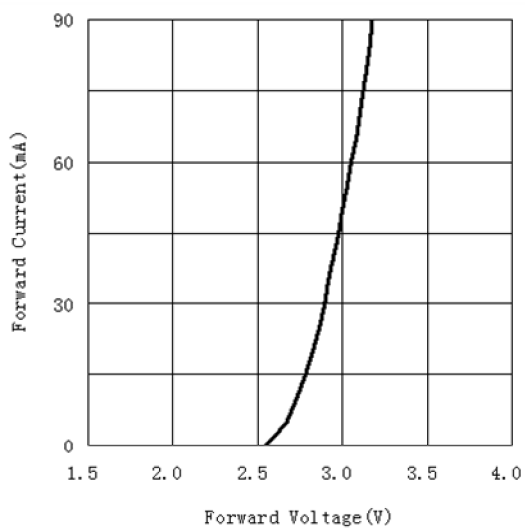
Soldering Temperature vs. Forward Current



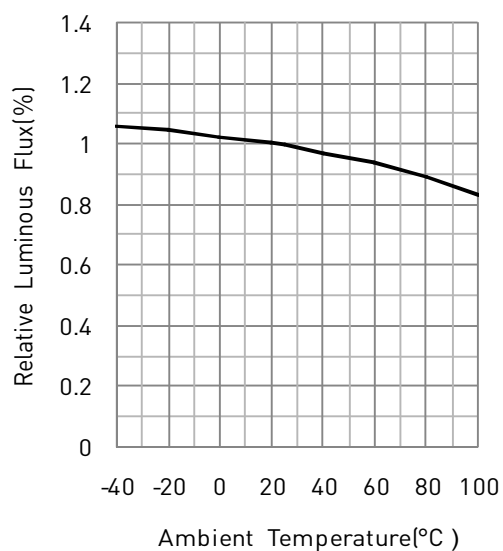
Forward Current VS. Relative Intensity



Forward Voltage VS. Forward Current

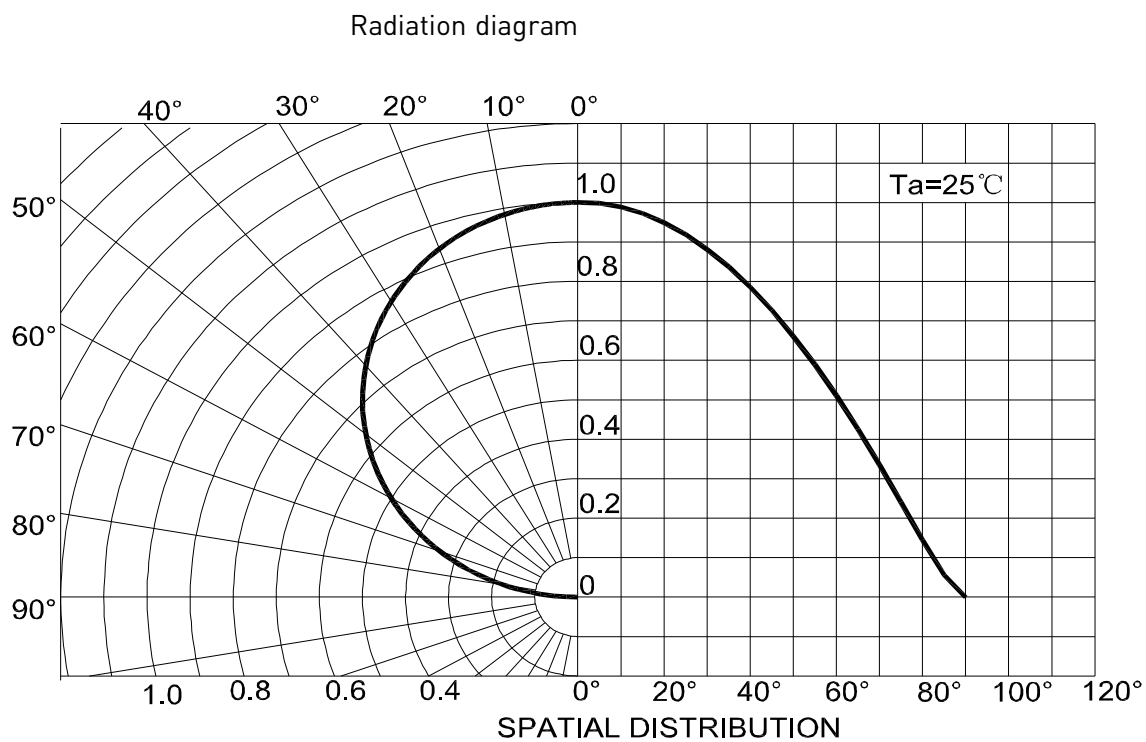
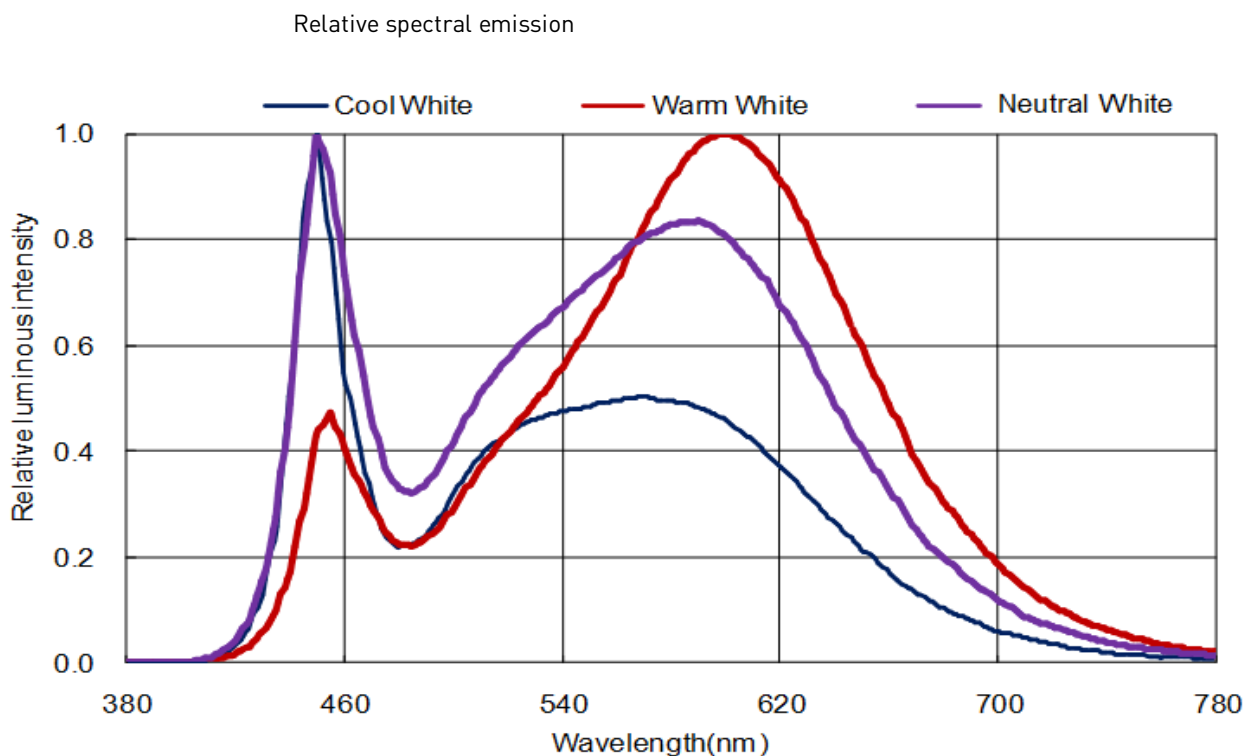


Ambient Temperature VS. Relative Intensity



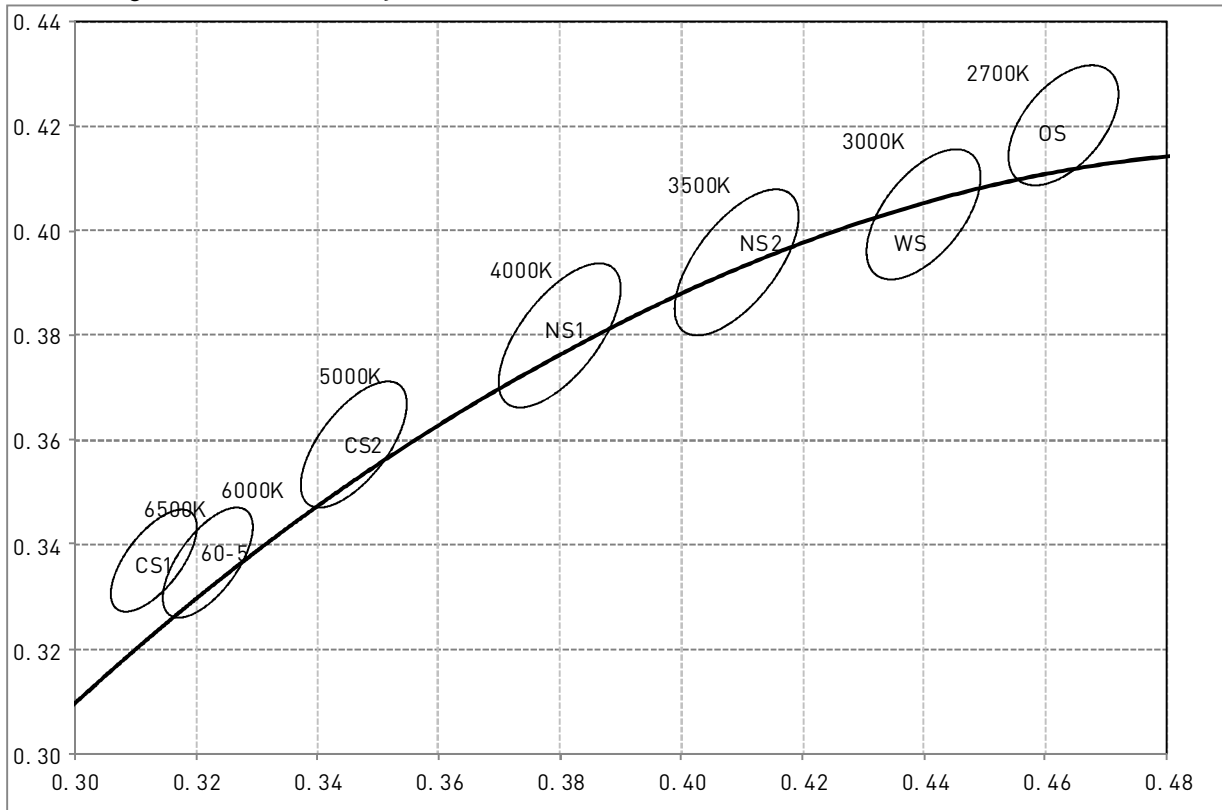
HL-AM-2835H421W-S1-08-HR1

Typical optical characteristics curves



# HL-AM-2835H421W-S1-08-HR1

Bin Range of Chromaticity Coordinate



Bin Range of Chromaticity Coordinate

Nominal CCT	Bin Code	Target Center Point (cx,cy)	Major Axis, a	Major Axis, b	Ellipse Rotation Angle $\theta$	Color Space
6500K	CS1	0.313,0.337	0.01115	0.00475	58.23°	Sing 5-step
6000K	60-5	0.3220,0.3365	0.01179	0.00504	59.21	Sing 5-step
5000K	CS2	0.346,0.359	0.01370	0.00590	59.37°	Sing 5-step
4040K	NS1	0.380,0.380	0.01565	0.00670	54.00°	Sing 5-step
3450K	NS2	0.409,0.394	0.01585	0.00695	52.58°	Sing 5-step
2940K	WS	0.440,0.403	0.01390	0.00680	53.10°	Sing 5-step
2720K	OS	0.463,0.420	0.01290	0.00685	53.17°	Sing 5-step

# HL-AM-2835H421W-S1-08-HR1

## Reliability Test Items And Conditions

Test Items	Ref. Standard	Test Condition	Time	Quantity	Ac/Re
Reflow	JESD22 -B106	Temp:260°Cmax T=10 sec	3 times.	22Pcs.	0/1
Temperature Cycle	JESD22 -A104	120°C±5°C 30 min. ↑↓5 min -40°C±5°C 30 min.	100 Cycles	22Pcs.	0/1
High Temperature Storage	JESD22 -A103	Temp:100°C±5°C	1000Hrs.	11Pcs.	0/1
Low Temperature Storage	JESD22 -A119	Temp: -40°C±5°C	1000Hrs.	11Pcs.	0/1
Life Test	JESD22 -A108	Ta=25°C±5°C IF=60mA	1000Hrs.	11Pcs.	0/1
High Temperature High Humidity Life Test	JESD22 -A101	85°C±5°C/ 85%RH IF=30mA	1000Hrs.	11Pcs.	0/1

## Failure Criteria

Test Items	Symbol	Test Condition	Failure Criteria	
			Min.	Max.
Forward Voltage	VF	IF=60mA	--	U.S.L*]x1.1
Reverse Current	IR	VR = 5V	--	10uA
Luminous Flux	Lm	IF=60mA	L.S.L*]x0.7	--

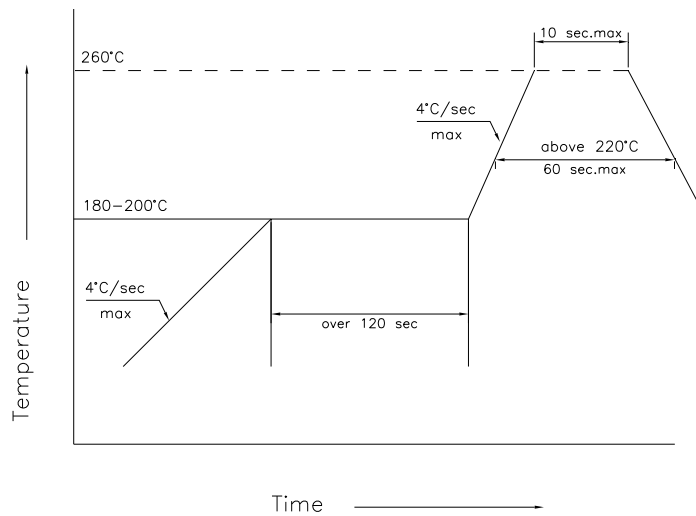
U.S.L: Upper Specification Limit

L.S.L: Lower Specification Limit

\*The technical information shown in the data sheets is limited to the typical characteristics and circuit examples of the referenced products. It does not constitute the warranting of industrial property nor the granting of any license.

# HL-AM-2835H421W-S1-08-HR1

## SMT Reflow Soldering Instructions



- 1.Reflow soldering should not be done more than two times.
- 2.When soldering , do not put stress on the LEDs during heating

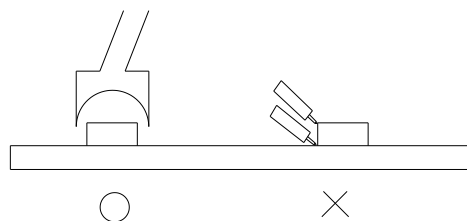
### Soldering iron

- 1.When hand soldering, keep the temperature of iron below less 300 less than 3 seconds
- 2.The hand solder should be done only one times

### Repairing

Repair should not be done after the LEDs have been soldered. When repairing is unavoidable, a double-head soldering iron should be used (as below figure). It should be confirmed in advance whether the characteristics of LEDs will or will not be damaged by repairing.

LED



The encapsulated material of the LEDs is silicone. Therefore the LEDs have a soft surface on the top of package. The pressure to the top surface will be influence to the reliability of the LEDs. Precautions should be taken to avoid the strong pressure on the encapsulated part. So when use the picking up nozzle, the pressure on the silicone resin should be proper.

LED

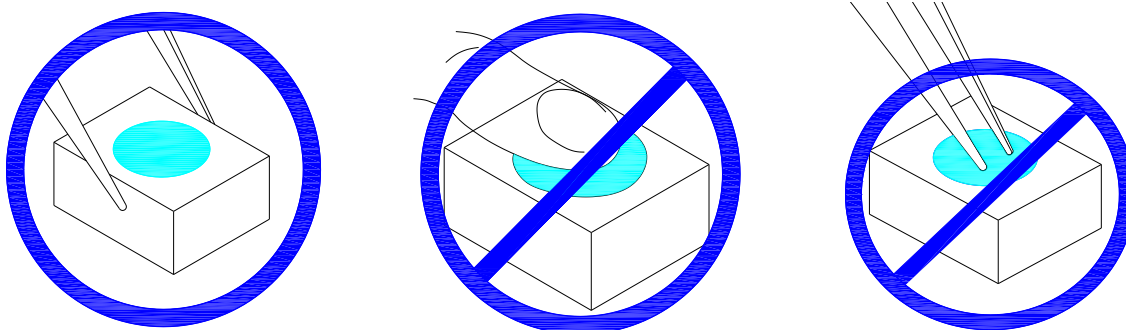


# HL-AM-2835H421W-S1-08-HR1

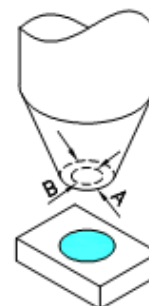
## Handling Precautions

Compare to epoxy encapsulant that is hard and brittle, silicone is softer and flexible. Although its characteristic significantly reduces thermal stress, it is more prone to damage by external mechanical force. As a result, Special handling precautions must be observed during assembling using silicone encapsulated LED products, Failure to comply might leads to damage and premature failure of the LED.

1.Handle the component along the side surface by using forceps or appropriate tools; do not directly touch or Handle the silicone lens surface, it may damage the internal circuitry.

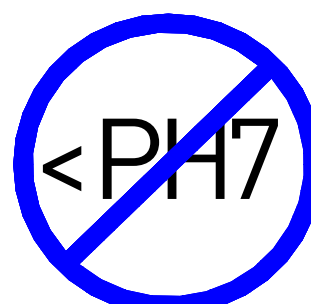
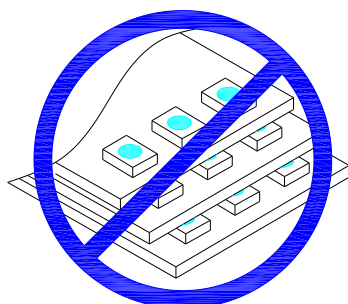


2.The outer diameter of the SMD pickup nozzle should not exceed the size of the LED to prevent air leaks. The inner diameter of the nozzle should be as large as possible. A pliable material is suggested for the nozzle tip to avoid scratching or damaging the LED surface during pickup. The dimensions of the component must be accurately programmed in the pick-and-place machine to insure precise pickup and avoid damage during production.



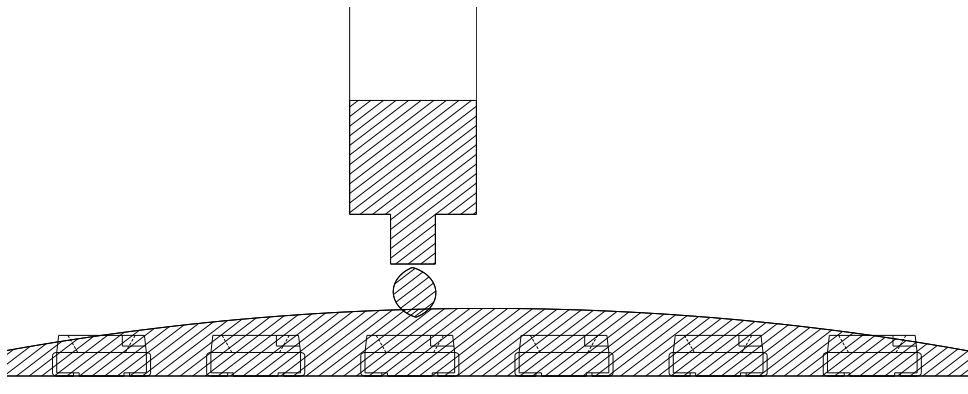
3.Do not stack together assembled PCBs containing LEDs. Impact may scratch the silicone lens or damage the internal circuitry

4.Not suitable to operate in acidic environment, PH<7



5.LED operating environment and sulfur element composition cannot be over 100PPM in the LED mating usage material.

6.When we need to use external glue for LED application products, please make sure that the external glue matches the LED packaging glue. Additionally ,as most of LED packaging glue is silica gel, and it has strong Oxygen permeability as well as strong moisture permeability; in order to prevent external material from getting into the inside of LED, which may cause the malfunction of LED, the single content of Bromine element is required to be less than 900PPM,the single content of Chlorine element is required to be less than 900PPM,the total content of Bromine element and Chlorine element in the external glue of the application products is required to be less than 1500PPM



7.Other points for attention, please refer to our LED user manual.

# HL-AM-2835H421W-S1-08-HR1

Label

PartNo: Part number

ΦV: Luminous intensity rank

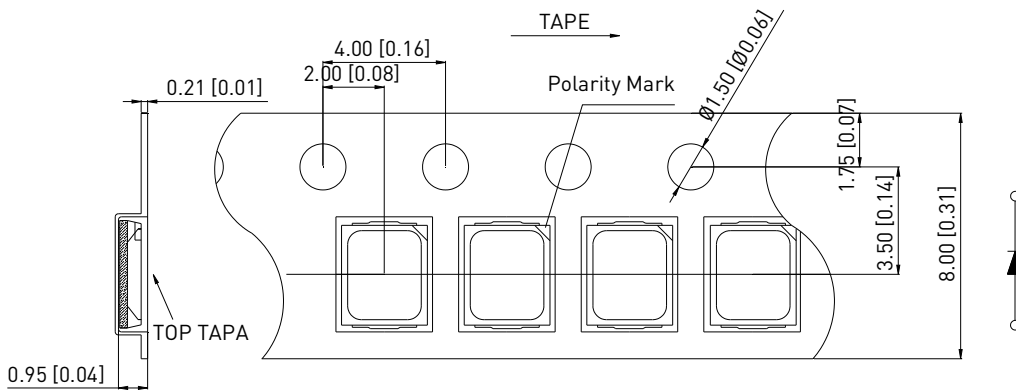
VF: Forward voltage rank

X/Y: Coordinate rank

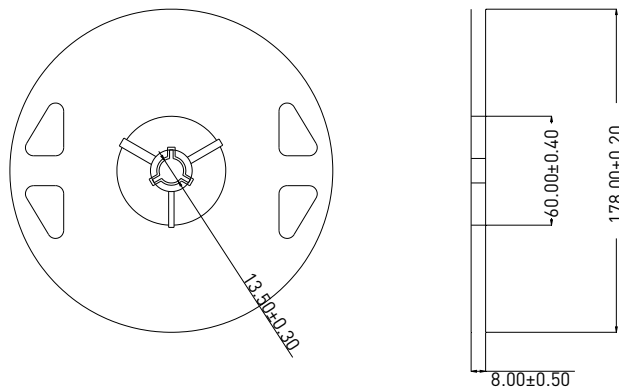
TC: Color temperature

LotNo: Lot number

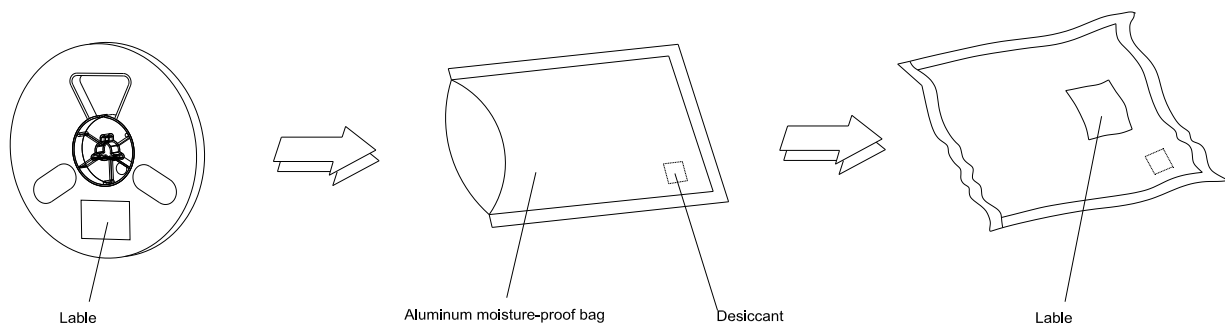
## Tape Specifications (Units : mm )



## Reel Dimensions



## Moisture Resistant Packaging



Note: The tolerances unless mentioned is  $\pm 0.1\text{mm}$ , Unit: mm